

Specifications

Output Power HP (kW)	1 (0.75)
Phase	3 Phase
Pole	4 Pole
Frame Number	80M

Degrees of Protection	IP 55
Enclosure Construction	Totally-enclosed Fan-cooled
Thermal Class	Class F (155 °C)

Alignment	Horizontal
Frame Material	Steel plate

Power Transmission	Direct-couple or Belt Driven
Direction of Rotation	Counterclockwise (CCW) viewed from shaft-end side

Connection Type	Terminal Block (6 Leads)
Coating Colour	Munsell N5.5 (Gray)
Conformed Standard	IEC 60034-1 & JEC-2137-2000

Voltage & Frequency	LT Type	
	220/380~415V	50Hz
	220/440V	60Hz

Motor Characteristics

Type	Hz	V	50% Load			75% Load			100% Load				Torque(%)		Is (A)	Inertia GD ² (kg-m ²)	
			(A)	Eff(%)	PF(%)	(A)	Eff(%)	PF(%)	(A)	Eff(%)	PF(%)	Speed (r/min)	Torque (kg-m)	Ts			Tm
LT	50	220	2.19	0.74	0.61	2.61	0.77	0.73	3.14	0.78	0.80	1400	0.520	317	275	18.1	0.0109
		380	1.26	0.74	0.61	1.51	0.78	0.73	1.81	0.78	0.80	1400	0.520	317	275	10.5	
		415	1.44	0.70	0.52	1.62	0.75	0.65	1.86	0.76	0.74	1410	0.520	380	328	11.3	
	60	220	1.84	0.77	0.69	2.32	0.80	0.80	2.91	0.80	0.85	1700	0.430	263	237	15.6	
		440	1.20	0.70	0.58	1.40	0.75	0.70	1.65	0.76	0.78	1720	0.420	355	322	10.5	

* The perpendicular variation of tolerance for the shaft center is $\begin{matrix} 0 \\ -0.5 \end{matrix}$

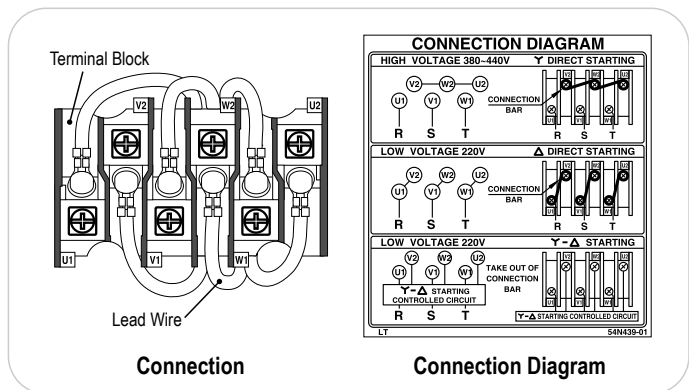
Dimensions (mm)

Motor													
A	B	C*	D	E	F	G	H	L	M	N	X	XB	Z
122	98	80	161.6	62.5	50	3.2	165.4	262	160	125	15	50	9

Terminal Box				Shaft End						
KA	KG	KD	KL	Q	QK	R	S	T	U	W
39.5	38	PF 3/4	145	40	32	140	19 j6	6	3.5	6

Bearing No.		Approximated Weight (kg)	Approximated Packing Dimensions (LxWxH)	Gross Weight (kg)
Drive End	Opposite			
6204ZZ	6203ZZ	11	315 x 270 x 206	11.7

Connection & Connection Diagram



Circumstance Conditions

Ambient Temperature	-20 ~ +40°C
Ambient Humidity	95% RH or less
Operating Altitude	Less than 1,000m above sea level
Environment	No bursting / erosive gas or vapor